

Siemens - HB76P570E stainless steel Wall-mounted oven liftMatic

- ElectronicPlus consists of:
- Electronic function selector with digital display
- Automatic temperature proposal with digital display
- Actual temperature display
- Electronic temperature control
- Automatic fast heat up function
- 26 automatic roasting programmes
- Residual heat indicator
- Independent oven interior light button
- Automatic safety switch off
- LED clock and automatic programmer
- Integral cooling fan
- Electromotive lift platform
- Ceramic glass platform base
- Quadruple glazed door with heat reflective glass
- 8 cooking methods: hot air, conventional, grill, hot air grilling, bottom heat, special baking, defrost, speed cooking
- With the addition of : - Keep warm setting
- Retractable controls
- Child lock function
- Smooth oven interior
- Grey enamel oven interior
- Interior lighting
- pyroKlean function

Optional accessories:

Characteristics

Color / Material Front : Stainless steel
 Built-in / Free-standing : Built-in
 Integrated Cleaning system - cavity 1 : Pyrolytic
 Required niche size for installation (HxWxD) : x
 600 x
 Dimensions of the product (mm) : 538 x 595 x
 455
 Dimensions of the packed product (HxWxD)
 (mm) : 640 x 650 x 710
 Control Panel Material : Stainless steel, Glass
 Door Material : Glass
 Net weight (kg) : 57.00
 Usable volume (of cavity) - cavity 1 (l) : 50
 Cooking method first cavity : Defrost, Hot air
 grilling, pre-heating, warming, Speed,
 Conventional heat, Warming open, Full width
 variable grill, Bottom heat, Hot Air, Special
 baking setting
 First cavity material : Enamel
 Temperature control - cavity 1 : electronic
 Time control - cavity 1 : electronic
 Interior Lights - cavity 1 : 3
 Approval certificates : CE, VDE
 Length electrical supply cord (m) : 120.0

Consumption and connection features

Energy consumption conventional (kWh) - cavity
 1 : 0.79
 Energy consumption forced air convection (kWh)
 - cavity 1 : 0.89
 Electrical connection rating (W) : 3600
 Current (A) : 16
 Voltage (V) : 220-240
 Frequency (Hz) : 50; 60
 Plug type :

Alternative colors available:

A

Energy
efficiency
class

WALL-MOUNTED OVEN

Siemens - HB76P570E

Predecessor:

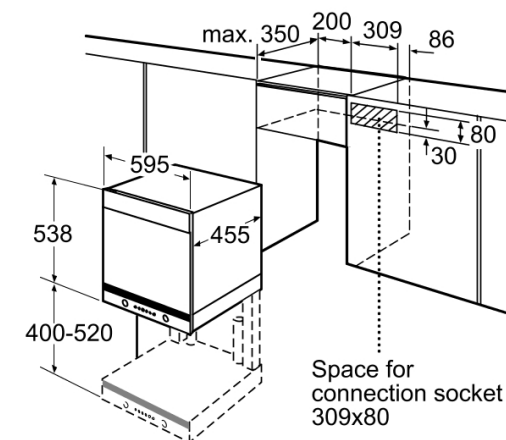
Successor:

EAN code: 4242003350768

sales programme:

Included accessories:

1 x enamel baking tray, suit. pyrol. clean., 1 x combination
 grid, 1 x universal pan, suit. pyrol. clean.



Measurements in mm