



# BOSCH



## Bosch - HBN131260B black -Built-in single oven

- Hot air oven
- Electronic clock
- Oven interior light
- Child lock

### Optional accessories:

### Characteristics

Color / Material Front : Black  
 Built-in / Free-standing : Built-in  
 Integrated Cleaning system - cavity 1 : oxylytic  
 Required niche size for installation (HxWxD) : 575 x 560 x 550  
 Dimensions of the product (mm) : 595 x 595 x 515  
 Dimensions of the packed product (HxWxD) (mm) : 665 x 627 x 615  
 Control Panel Material : Metal  
 Door Material : Glass  
 Net weight (kg) : 31.00  
 Usable volume (of cavity) - cavity 1 (l) : 53  
 Cooking method first cavity : Full width variable grill, Hot Air, Defrost, Hot air grilling  
 First cavity material : Enamel  
 Temperature control - cavity 1 : mechanical  
 Time control - cavity 1 : electronic  
 Interior Lights - cavity 1 : 1  
 Approval certificates : AENOR, CE  
 Length electrical supply cord (m) :

### Consumption and connection features

Energy consumption conventional (kWh) - cavity 1 :  
 Energy consumption forced air convection (kWh) - cavity 1 : 0.79  
 Electrical connection rating (W) : 2250  
 Current (A) : 16  
 Voltage (V) : 220-240  
 Frequency (Hz) : 60; 50  
 Plug type : No plug, Fixed connection

### Alternative colors available:

HBN131250B : Electric built-in oven

# A

Energy efficiency class

Electric built-in oven  
Bosch - HBN131260B

Predecessor:

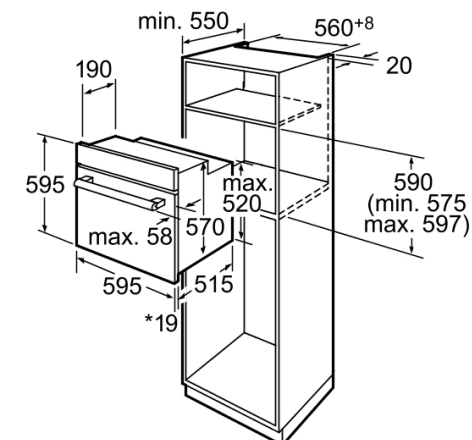
Successor:

EAN code: 4242002332253

sales programme:

### Included accessories:

1 x enamel baking tray, 1 x grill shelf, 2 x grid



\*20 mm for metal fascias

Measurements in mm